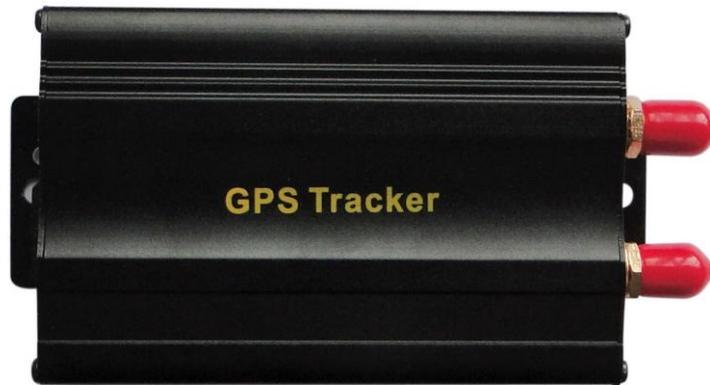


GSM/GPRS/GPS Vehicle Tracker

Model A+/B+ User Manual



Preface

Thank you for purchasing the tracker. This manual shows how to operate the device smoothly and correctly. Make sure to read this manual carefully before using this product. Please note that specification and information are subject to changes without prior notice in this manual.

Any change will be integrated in the latest release. The manufacturer assumes no responsibility for any errors or omissions in this document.

Contents

1. Function Introduction.....	4
2. Applications.....	4
3. Hardware Description	4
4. Accessories.....	5
5. Specifications	6
6. Operating Instructions	6
6.1 Terminal Installation	7
6.2 SIM CARD Installations	8
6.3 Dual SIM Card.....	9
6.4 Turn on the Tracker Device.	9
6.5 GSM/GPS LED Indicator	9
6.6 Initialization.....	9
6.7 Change Password.....	9
6.8 Authorization	9
6.9 Single Locating.....	10
6.10 Auto track continuously.....	10
6.10.1 Track with limited times upon time interval:	10
6.10.2 Track with unlimited times upon time interval:	11
6.10.3 Smart track upon time and distance interval:	11
6.11. Automatic update positions of vehicle turns.....	11
6.12. GPS drift suppression	11
6.13 Absolute street address by SMS	11
6.14 Location based service (LBS)	11
6.15. Monitor.....	12
6.16 Data logging	12
6.17 Data Load.....	12
6.18 Forward the third parties' message	13
6.19 Charges Inquiry.....	13
6.20. Alarms	13
6.20.1 Low battery alarm.....	13
6.20.2 Power off alarm	13
6.20.3. GPS blind Spot alert.....	13
6.20.4 SOS.....	13
6.20.5 Geo-fence.....	14
6.20.6 Multi-area management	14
6.20.7 Movement alarm.....	15
6.20.8 Over speed alarm.....	15
6.20.9. Accident alarm (Option).....	15
6.20.10. ACC working alarm	15
6.20.11. Fuel alarm.....	16
6.21. Cut off the Oil and Power System	16
6.22 ARM / LOCK	16

6.23 DISARM / UNLOCK.....	17
6.24 Function of Remote Controller (Option, for model B+)	17
6.25 Electric / Air compressor lock switch	17
6.26. Alarms under Arm State.....	17
6.26.1 Door alarm	17
6.26.2 Shock Sensor alarm	18
6.26.3 ACC alarm	18
6.27. Silent Mode	18
6.28. Alarm without GSM network service	18
6.29 Check the Vehicle State	18
6.30 Reset Hardware.....	19
6.31 Sleep Mode.....	19
6.32 Check IMEI	19
6.33 Set up Terminal (local) Time.....	19
6.34. TCP/UDP switch	19
6.35 Configure parameters by USB	19
6.36 Set up GPRS	20
6.37. Less GPRS traffic.....	21
6.38. Modes Switch between “SMS” and “GPRS”	21
6.39 Set up monitor center number	21
6.40 Web platform and PC installation tracking software user manual.....	21
7. Cautions	22
8. Faults & the Solutions	22

1. Function Introduction

1.1 This tracker is a new product based on the GSM / GPRS network and GPS satellite positioning system, which set multiple functions of security, positioning, monitoring surveillance, emergency alarms and tracking in its entirety. It can track and monitor remote target by SMS or internet.

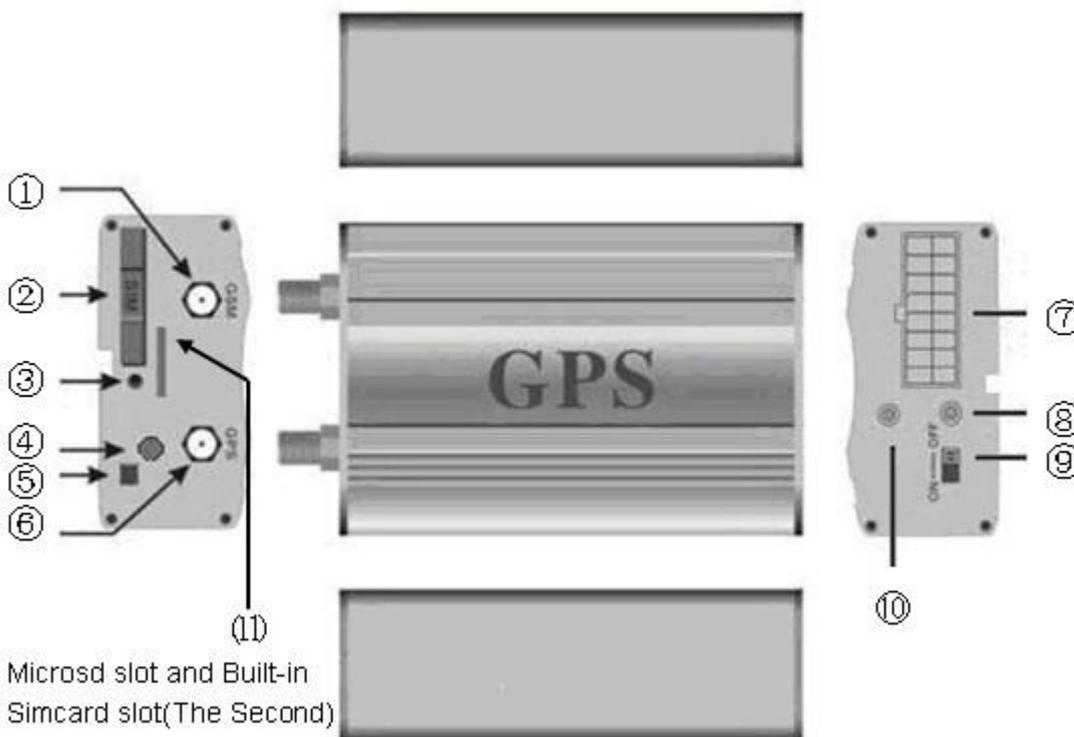
1.2 Features

- 1.2.1 Support both GPS & LBS (Location based service).
- 1.2.2 Support SMS/GPRS/Internet Network data transmission (GPRS/Internet instructions includes in CD in package)
- 1.2.3 Support GPRS on-line and GPRS re-connected automatically if GPRS drops
- 1.2.4 Support SMS / GPRS dual-mode switching
- 1.2.5 Support configuration by remote terminal.
- 1.2.6 Support for point-to-point, point to group, group-to-group monitoring.
- 1.2.7 Set multiple functions of anti-theft, positioning, monitoring surveillance, emergency alarms and management in its entirety.

2. Applications

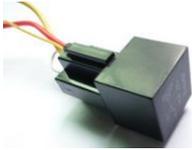
Used widely for vehicle and other moving objects tracking.

3. Hardware Description



- ①. GSM Antenna connector
- ②. SIM card slot
- ③. SIM card slot Pop-up switch
- ④. Monitor microphone jack
- ⑤.USB
- ⑥. GPS Antenna connector
- ⑦. 16PIN Harness port
- ⑧. GSM/GPS LED
- ⑨. Backup battery switch
- ⑩. Remote controller antenna
(Option for Model B+ only)
- ⑪. SD slot & (built-in second SIM card slot, open case to install)

4. Accessories

NO.	Picture	Name	Specs
1		GPS Antenna	3 Meters
2		GSM Antenna	3 Meters
3		Microphone	1.5 Meters
4		Harness	16PIN
5		Relay	12V/40A or 24V/40A according to vehicles
6		Shock sensor	Option for model A+/B+

7		Siren	Option for model A+/B+
8		Remote controller	Option for model B+
9		Fuel sensor	Option for model A+/B+
10		Relay for central locking	Option for model A+/B+

5. Specifications

Content	Specifications
DIM.	87*54*26mm
Weight	130g
Network	GSM/GPRS
Band	850/900/1800/1900Mhz
GPS Sensitivity	-159dBm
GPS Accuracy	5m
GPS Start time	Cold status 45s Warm status 35s Hot status 1s
Voltage of car power system	12 V -24V
Backup battery	Chargeable 3.7V 500mAh Polymer Li-Battery
Storage Temp.	-40 ℃ to +85 ℃
Operation Temp.	-20 ℃ to +65 ℃
Humidity	5%--95% non-condensing

6. Operating Instructions

6.1 Terminal Installation

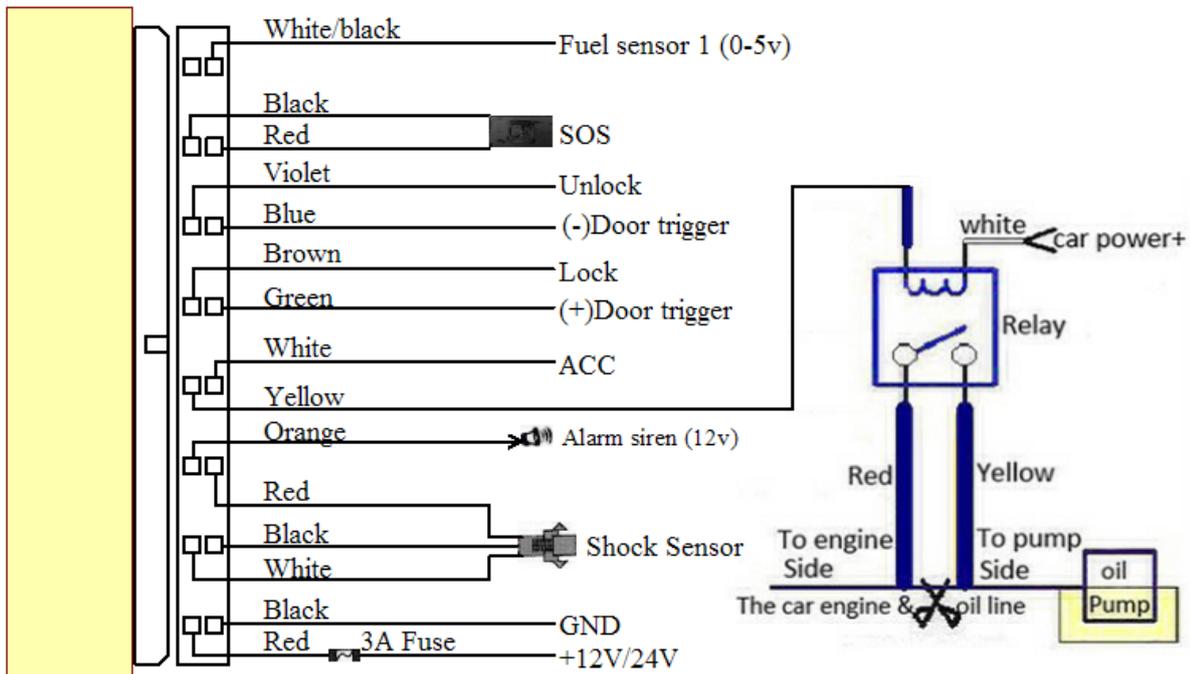
6.1.1 Please ask the qualified engineers to install.

6.1.2 Do not install it in an environment which is over GSM performance and please pay attention to fix the antennas in a position with good signals.

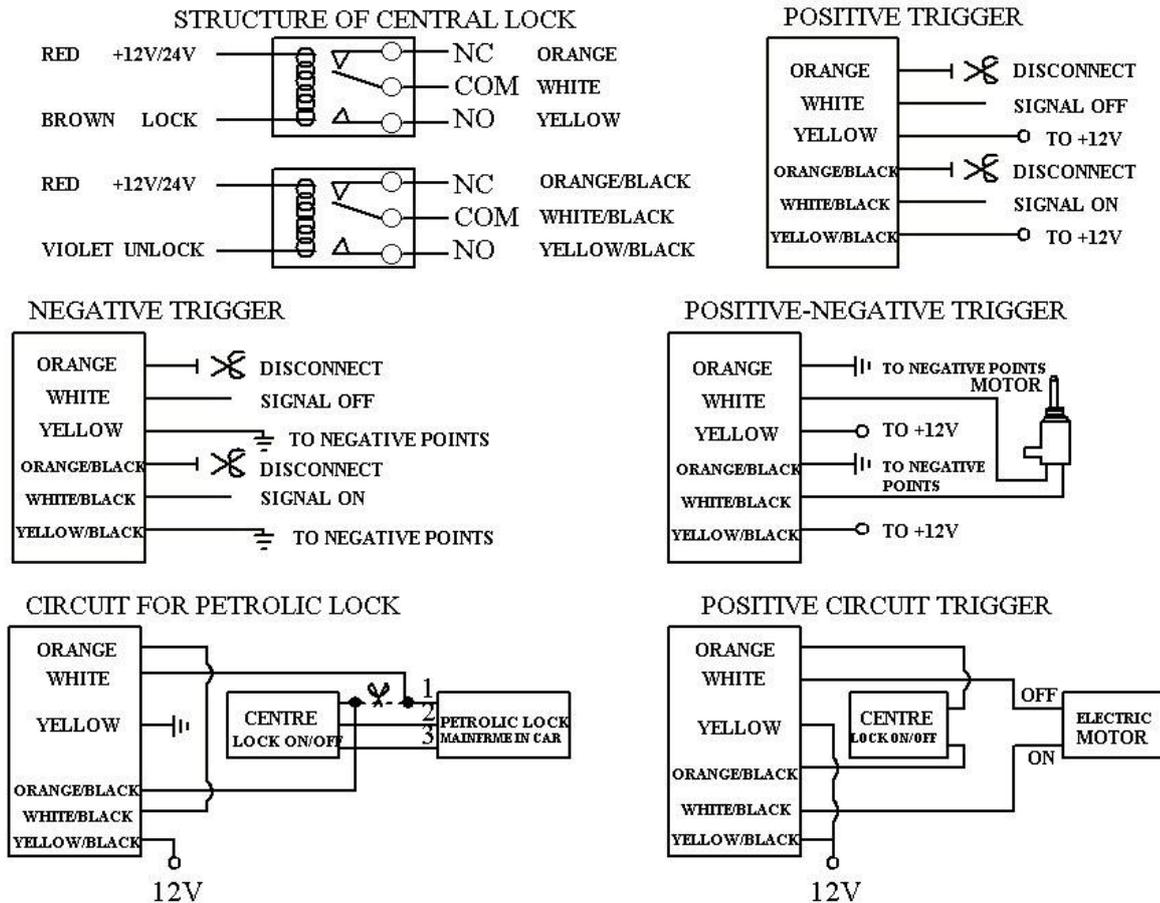
6.1.3 Pay attention to make installation location preventing water and dust.

6.1.4 Find the 16 PIN harness and insert it into the corresponding holes of the products, and connect the wires with the original car circuit showing below:

Wiring diagram of main unit



Wiring diagram of central locking system's relay:



6.1.5 Note: The orange wire can be connected to the car original horn; or connected to the siren you buy with the tracker. (Siren is Option)

6.1.6 Knowing about the type of the door trigger is positive or negative trigger. Please connect the green wire to the door control circuit if it is positive, and connect blue wire if it is negative.

6.1.7 When wiring central lock system to control the door lock, the default settings of the device is for electric lock, if the vehicle is air compressor lock, please refers to the switch command described later.

6.1.8 Please install the SOS button on the place driver can touch.

6.1.9 Connect the GPS and GSM antenna to the right connector, and find an appropriate place to fix the antennas for good reception.

6.2 SIM CARD Installations

6.2.1 Use a tweezers or a sharp thing to touch the SIM CARD popup switch, the SIM CARD slot will pop up, take out the SIM card slot and put SIM card in it. And then put the SIM card slot back to its original position after confirm the SIM card in the right place.

6.2.2 The second SIM card need to open the case to install it.

6.2.3 Please make sure the SIM card is for GSM network and able to execute the function of incoming calls display, no calls can be diverted and the PIN code is locked. The SMS

format must be TXT format, and can't recognize the PDU format.

6.3 Dual SIM Card

Device supports dual SIM card, but only one of them work with tracker, and switch to the other one automatically when it is broken, no GSM reception or no GPRS.

6.4 Turn on the Tracker Device.

6.4.1 Connect the positive and negative wire, red and black ones, with 12V or 24V car power system, wait for 1 minute after connecting power to wait tracker works normal, and then turn on the backup battery switch.

6.5 GSM/GPS LED Indicator

6.5.1 Red LED indicator on: No GSM network signals.

6.5.2 Red LED indicator flashes fast (one time each second): GSM Network signal is normally, and tracker works under GSM mode.

6.5.3 Red LED indicator flashes slowly (one time each three second): Tracker works under GPRS mode.

6.5.4 Green LED indicator on: GPS signal is normal.

6.5.5 Green LED indicator off: No GPS signals.

6.6 Initialization

Send SMS "begin+password" to the unit, it will reply "begin ok" and initialize all the settings to default factory settings. (default password: 123456)

For example: send SMS "begin123456", it will reply "begin ok". (No quotation marks"" when sending all the SMS)

6.7 Change Password

6.7.1 Send SMS " password+old password+space+new password" to the unit to change the password.

For example: send SMS "password123456 888888" to the unit. If succeeded, "password ok" will reply to your cell phone from the device tracker.

6.7.2 Be sure to keep the new password in mind, you have to upload the software to restore the original setting in case of losing the new password.

6.7.3 Attention: Make sure the new password is in 6 digits Arabic numbers, or else the tracker cannot recognize the password.

6.7.4 **The "+" in the command, please don't type "+", space means press the space keyboard on your cell phone.**

6.8 Authorization

There are 5 numbers to be allowed to authorize in the tracker at most.

- 6.8.1 Call and track the tracker device for 10 times from cell phone in success, it will make the cell phone number as the authorized number automatically, and reply “add master ok”.
- 6.8.2 Authorization: Send SMS “admin+password+space+cell phone number” to set up an authorized number, the other authorized numbers should be set by the first authorized number, if the number is successfully authorized, the unit will reply “ admin OK” by SMS.
- 6.8.3 Delete authorization: Send SMS “noadmin+password+space+authorized number” to delete the authorized number.
- 6.8.4 If you want to track the target tracker device when it enters into another country, you must add the country code before the cell phone number, for example, send SMS “admin123456 008613322221111” to the device. Note: 13322221111 will be set up as the authorized number.

6.9 Single Locating

- 6.9.1 Any number call the tracker device, it will reply a SMS including the position of latitude and longitude if don't set up the authorized number. If authorized number has set successfully, the device won't reply SMS including the positioning of latitude and longitude when the unauthorized number dials up it.
- 6.9.2 Dialing the tracker device from the authorized number, it will hang up your calling and respond to a real-time latitude and longitude information as following:



Tracking location, when no GPS signal, the SMS includes the last valid latitude & longitude as well as the LAC code of current position, the LAC code can be input in the column of “manual track” menu of web platform to check location.

6.10 Auto track continuously

6.10.1 Track with limited times upon time interval:

Send SMS command “fix030s005n +password” to the tracker device, it will report the latitude & longitude at 30s intervals of 5 times. (s:second, m:minute, h:hour). This command set must be in 3 digits and the maximum value is 255.

6.10.2 Track with unlimited times upon time interval:

Send SMS “fix030s***n+password” to the tracker device, it will reply the latitude & longitude continuously at interval of 30 seconds.

Note: the interval must not less than 20s.

6.10.3 Smart track upon time and distance interval:

6.10.3.1 Please set "track with unlimited times upon time interval" before this function, and send "distance+password+space+distance", tracker will reply "Distance ok", and then tracker will locate upon both the pre-set time and distance.

E.G: Send "distance123456 0050", it means distance is 50 meters; the number must be 4 digits Arabic numbers.

6.10.3.2 Set this function on web server: Set time interval first and then distance interval, tracker will locate upon the time and distance.

6.10.4 Cancel: Send SMS “nofix+password” to the tracker device to cancel the “auto track”.

6.11. Automatic update positions of vehicle turns

6.11.1 The tracker will update the positions automatically to web server once the vehicle changing driving direction over pre set angle value to form a smooth trajectory consistent with the actual road, this function works only in GPRS mode.

6.11.2 Send "angle+password+space+angle" to tracker, it will reply " angle ok".

6.11.3 The angle must be 3 digits Arabic numbers, default angle value is 30 degree.

6.12. GPS drift suppression

6.12.1 This function is deactivated as default, send "suppress+password" to tracker, it will reply " suppress drift ok". The GPS data stop updating if vehicle is not driving (ACC is OFF) and latitude and longitude always keep same, and GPS data updates automatically when vehicle is moving.

6.12.2 Cancel: send "nosuppress+password" to tracker, it will reply " nosuppress ok ".

6.13 Absolute street address by SMS

6.13.1 You must set up the APN of your local GSM network for the SIM card in tracker first before using this function, if there is user name and password for GPRS login, Please refer to 6.36.1 and 6.36.2 to configure the APN, user name and password for GPRS login.

6.13.2 After configure the APN, send "address+password" to device, it will reply SMS including real street/address name. For example: No.113, Guankou 2nd Rd, Nantou, Nanshan district, Shenzhen, Guangdong, china.

6.14 Location based service (LBS)

When the tracker device doesn't received valid GPS signals, tracker will positioning by location based service(LBS), the messages includes the GPS coordinates of the last position in SMS mode,

but the LAC in message is the current new position, the location can be seen by input the LAC code in the menu “Manual Track” of web platform www.gpstrackerxy.com, you can also send command “address+password” to tracker to get the newest absolute address and GPS coordinates as well; tracker will automatically switch to track by location based service in GPRS mode, and actualized on the map of web server with LBS mark. And there may be some inaccuracy with actual location by LBS tracking; the bias depends on GSM reception.

Note: This feature can be used normally in most areas according to the signal of GSM network. It may not be available in some areas.

6.15. Monitor

6.15.1 The command to switch between Track and Monitor are “tracker” and “monitor”.

6.15.2 The default mode is “track” (Track mode).

6.15.3 Send SMS “monitor+password” to the unit, and it will reply “monitor ok!” and switch to “monitor” mode.

6.15.4 Send SMS “tracker+password” to the unit, it will reply “tracker ok!” and restore to “track” mode.

6.16 Data logging

6.16.1 Auto logging: When the tracker device lost GSM signals or fall offline from GPRS, tracker will log the tracking position and alerts automatically in the SD card on the basis of the pre-set condition, when GSM signals get back, all the event alerts will be auto-sent to the authorized numbers or monitoring platform (server), but the logged tracking data should be loaded to the monitoring platform via SMS command.

6.16.2 Logging upon times: Send SMS: “save030s005n+password” to the tracker unit, it will reply “save ok”, and will log the lat, long locations every 30 seconds for 5 times. (S: second, m: minute; h: hour).

6.16.3 Multi-logging: Send SMS: “save030s***n+password” to tracker device, it will reply “save ok”.

6.16.4 Logging Clearance: send SMS: “clear+password” to tracker device, it will reply “clear ok”.

6.16.5 Logging Volume: It depends on the capacity of the SD card inserted in the tracker device.

6.16.6 The logged data in SD card can be copied to computers through card reader, and then the data route can be checked by importing data in the menu “Data Import” of web platform www.gpstrackerxy.com

6.17 Data Load

6.17.1 Current date Load: Send SMS: “load+ password” to tracker device, it will reply: “load ok” if the device is working well under GPRS mode; if not, it will reply “load fail! Please check gprs” that means device does not work under GPRS mode.

o

6.17.2 Specified date Load: Send SMS: “load+ password+ space+ year month date” to tracker device, it will reply: “load ok” and load the tracking data to the monitoring platform upon the valid time you choose. For Example: send SMS: “load123456 20110425” to the tracker device, means to load the tracking data of 25th April 2011 to monitoring platform.

6.18 Forward the third parties' message

6.18.1 Send SMS "forward+password+space+third parties phone number" from authorized phone number, tracker will reply "forward ok", and supports 1 third parties phone numbers at most. For example, set the phone number of the service provider of the simcard in the tracker, when charge remind message coming in, tracker will forward it to authorized phone number.

6.18.2 Cancel: Send SMS command "noforward+password".

6.19 Charges Inquiry

Send SMS command "balance+password+space+carrier's phone number+space+code" to tracker, it will forward the code to carrier's phone number and return the balance message received from carrier's phone number.

6.20. Alarms

6.20.1 Low battery alarm

6.20.1.1 Send SMS "lowbattery+password+space+on", it will send SMS "low battery+latitude/longitude" to authorized numbers 2 times in total **in 15 minutes interval** when voltage of battery is going to be about 3.55V.

6.20.1.2 This function activates as default, send SMS "lowbattery+password+space+off" to deactivate.

6.20.2 Power off alarm

6.20.2.1 Send "extpower+password+space+on" to activate, it will send SMS "power alarm+latitude/longitude" to authorized numbers every 3 minutes when external power is cut off.

6.20.2.2 This function activates as default.

Cancel: Send SMS "extpower+password+space+off" to deactivate it.

6.20.3. GPS blind Spot alert

6.20.3.1 This function deactivates as default, send SMS "gpssignal+password+space+on", it will send alert SMS "no gps+last valid latitude/longitude before lost signal"

6.20.3.2 Send SMS "gpssignal+password+space+off" to deactivate.

6.20.4 SOS

Long Press the SOS button for 3 seconds (For model B, press  button on remote controller for 3 seconds), the tracker device will send SMS "help me!+lat./long." to all the authorized numbers at interval of 3 minutes. It will stop sending such a SMS when any authorized number reply SMS "help me!" to the tracker.

6. 20. 5 Geo-fence

Set up a geo-fence for the tracker device to restrict its movements within a district. The unit will send SMS to the authorized numbers when it goes out of this district.

Set up: When the unit stays immobile in a place for 3-10 minutes, the user can send SMS "stockade+password+space+latitude,longitude;latitude,longitude" to unit to set the restricted district. In case of breach, it will send SMS "stockade!+ latitude & longitude" to the authorized numbers at interval of 3 minutes.

Remark: The first latitude & longitude is coordinate of the top left corner of the Geo-fence, while the second latitude & longitude is the coordinate of the bottom right corner, it will alarm at interval of 3 minutes.

Cancel: Send SMS "nostockade+password" to deactivate this function.

6. 20. 6 Multi-area management

6.20.6.1 Set Area

Send SMS command

"area+password+space+latitude,longitude+space+areaname,distanceM" to tracker(distance unit: M for meter, K for kilometer), it will reply "area01 ok".

Example: Send "area123456 22.353648,113.543678 school,800M".

Note: 5 areas at most and the distance between two points can't be less than the total distance in the 2 commands, and different areas can't cover each other.

6.20.6.2 Delete areas

Send SMS command:"noarea+password+space+area name", tracker will reply:"noarea ok".

6.20.6.3 Rename and set distance

Send SMS command "rename+password+space+old name;new name,distanceM" to tracker, if name is not repeated and area doesn't cover others, it will reply "rename ok!" for successful configuration.

Example: Send"rename123456 area01;school,800M", it means the new area name is "school", and covers area of a radius of 800 meters.

6.20.6.4 Activate multi-area management

Send SMS command "area+password+space+on" to tracker, it will reply "Area on ok!", when tracker enter the pre set area, it will send SMS "area name+latitude & longitude" to all the authorized phone number, and send same SMS when goes out of the area.

6.20.6.5 Deactivate Multi-area management

Send SMS command "area+password+space+off" to tracker, it will reply "area off ok!"

6. 20. 7 Movement alarm

6.20.7.1. Set up: when the unit stays immobile in a place for 3-10 minutes with GPS signal

reception, the user can send SMS "move+password+space+0200" to the tracker (Suppose area of a radius of 200 meters, it supports 4 digits at most. Unit: Meter). It will reply "move OK". In case of such a movement (the default distance is 200m), it will send SMS "Move+ latitude & longitude" to the authorized numbers at interval of 3 minutes.

6.20.7.2 Cancel: Send SMS "nomove+password" to deactivate the movement alarm.

6. 20. 8 Over speed alarm

Set up: Send SMS "speed+password+space+080" to the unit (suppose the speed is 80km/h), and it will reply "speed OK!". When the target moves exceeding 80km/h, the unit will send SMS "speed+080!+ latitude & longitude" to the authorized numbers at interval of 3 minutes.

Cancel: Send SMS "nospeed+password" to deactivate the overspeed alarm.

Remark: The recommended speed should be not less than 30km/h. For below that rate, it will be effected the accuracy by GPS signals drift etc.

6. 20. 9. Accident alarm (Option)

When tracker detects accident occurred (severe impact) during normal driving, it will send "Accident! + latitude & longitude " to all authorized phone numbers.

6. 20. 10. ACC working alarm

6.20.10.1 This function is disabled as default. To active this functions, send

"ACC+password" to tracker, it will reply "ACC ok". And tracker will send "ACC on+latitude & longitude" to authorized numbers when detect ignition action, that means the vehicle has been started; and tracker will send "ACC off+latitude & longitude" to authorized numbers, that means ACC off.

6.20.10.2 Send "noACC+password" to disabled this function, tracker will reply "noACC ok".

6.20.10.3 This configuration can only enable and disable the alarm to authorized numbers; it will send to web server automatically in GPRS mode and can't be disabled.

6.20.11. Fuel alarm

6.20.11.1 When the fuel consumption exceeds the normal standards during driving, or oil theft/leakage when the vehicle is stopped, the tracker will send "oil: xx% + Geo-info" to the authorized number at interval of 3 minutes. The horn beeps 30S.

6.20.11.2 Cancel: Send SMS command “nooil+password” to tracker.

6.21. Cut off the Oil and Power System

6.21.1 Send command “stop+password” to tracker, tracker will execute it and reply “Stop engine Succeed”. And it will remain immobile state until next command to resume.

6.21.2 Stop mode

6.21.2.1 Execute immediately: Send command “quickstop+password” to tracker, it will reply “quickstop OK”. Then tracker will stop the car immediately after “stop” command.

6.21.2.2 Execute depends on speed(Default mode): Send command “noquickstop+password” to tracker, It will reply “noquickstop OK”, Then the tracker won't stop the car immediately after “stop” command, instead, it will reply “it will be executed after speed less than 20KM/H”, and stop the car when the speed is less than 20KM/H.

6.21.3 Resume the Oil and Power System

Send “resume+password” to tracker, it will reply "Resume engine succeed", that means vehicle has resume the oil supply.

6.22 ARM / LOCK

6.22.1 ARM / LOCK BY SMS (All the functions of Lock and Unlock must work with the optional relay of central locking system)

Send “arm+password” to tracker, it will make the car enter ARM states and lock the door at the same time, and reply “Tracker is activated”.

If the car is in ignition (ACC is at “ON” position), then the car can't enter ARM state, but it will lock the door and reply “set up fail! pls turn off ACC”.

If engine turned off, but door is open, then the car can't enter ARM state and reply “set up fail! pls close the door”.

6.22.2 ARM / LOCK BY Remote controller (Option for Model B+)

Press  on remote controller for 0.5seconds, the car will enter ARM state, siren beep for one time and tracker doesn't send SMS.

If the car is in ignition (ACC is at “ON” position), then the car can’t enter ARM state, but it will lock the door and siren keep silent.

If engine turned off, but door is open, then the car can’t enter ARM state and siren beeps 3 times, that means door is not closed.

6.23 DISARM / UNLOCK

6.23.1 DISARM/UNLOCK BY SMS

Send command “disarm+password” to tracker, tracker will disarm and unlock door and reply “Tracker is deactivated”, then it will turn off the alarm of door, shock sensor and ACC, and no alarms if open door, trigger shock sensor and ignition.

6.23.2 DISARM/UNLOCK BY Remote controller (Option for model B+)

Press  on remote controller for 0.5 seconds, the car will enter \DISARM state and unlock door at the same time, siren beeps two times and tracker doesn’t send message.

6.24 Function of Remote Controller (Option, for model B+)

Button	Function	Description
	Arm / lock	Press for 0.5 second, the siren will beep one time.
	Disarm / unlock	Press for 0.5 second, the siren will beep two times.
	arm & Silent mode	Press for 0.5 second when it is in disarm state, the siren will beep 3 times. No voice from siren when alarm triggered and quit from siren mode automatically when disarm.
	SOS	Press for 1 seconds, Tracker will send SOS alert to authorized phone numbers without voice.
	Deterrence/car search	Press for 0.5 second when it is in arm state, siren will beep 10 seconds, press disarm button  to quit.

6.25 Electric / Air compressor lock switch

6.25.1 Send command “locktype+password+space+1”, tracker will reply “locktype OK”, and then switch to air compressor lock after 5 seconds.

6.25.2 Send command “locktype+password+space+0”, tracker will reply “locktype OK”, and then switch to electric lock after 0.5 seconds. The default setting is for electric lock.

6.26. Alarms under Arm State

6.26.1 Door alarm

The unit will send SMS “Door alarm+lat/long” to the authorized number at interval of 3 minutes when the door of the car opens in arm status; Siren will sound for 30 seconds, and repeat again after stop 1 minute, send “disarm+password” to stop it.

6.26.2 Shock Sensor alarm

The unit will send SMS “Sensor alarm+lat/long” to the authorized number at interval of 3 minutes when the sensor is triggered in arm status; Siren will be sound for 30 seconds, and repeat again after stop 1 minute, send “disarm+password” to stop it.

6.26.3 ACC alarm

The unit will send SMS “ACC alarm+lat/long” to the authorized number at interval of 3 minutes when the engine of the car is turned on, that is the key is rotated to ACC.ON position to start the car in arm state; Siren will be sound for 30 seconds, and repeat again after stop 1 minute, send “disarm+password” to stop it.

6.27. Silent Mode

6.27.1 Set up silent mode by SMS

Send “silent+password” to tracker, it will reply “silent ok!” that means tracker enters ARM & silent mode, and will lock the door at the same time. siren won't be sound after alarm is triggered, but tracker will send alarm SMS to authorized number.

Send “disarm+password” to quit ARM & silent mode.

6.27.2 Set up silent mode by remote controller (Option for model B+)

Press  in disarm state for 0.5 second, the siren will beep one time, the car will enter ARM & Silent mode and lock door at the same time. Siren won't be sound after alarm is triggered, but tracker will send alarm SMS to authorized numbers.

Press  to quit.

6.28. Alarm without GSM network service

When the car is in the place without GSM network service, siren will be sound under non-silent mode if alarm is triggered (door, sensor, ACC), but no SMS alarm will send to authorized number.

6.29 Check the Vehicle State

Send SMS command “check+password” to the tracker device in the vehicle, It will reply the status of the power, battery, GPS, ACC, door, GSM signal, GPRS status and oil to the authorized numbers. For example: Send SMS “check123456” to the tracker device in the vehicle, It will reply following SMS.

Power: ON/OFF

Battery: 100%

GPRS: ON/OFF

GPS: OK/NO GPS

ACC: OFF/ON

Door: OFF/ON

GSM Signal: 1-32 Notes: The higher digit it shows; the stronger of GSM signals it receives.

Oil: 70%

6.30 Reset Hardware

Send SMS “reset+password” to tracker device, it will reply “reset ok”. And the GSM module and GPS module in the tracker will be reset.

6.31 Sleep Mode

6.31.1 This function is deactivated as default, send “sleep+password+space+on”, tracker will reply “sleep on ok”. When vehicle is not driving (ACC is OFF), GSM module fall asleep; GPS module shut off; and tracker works in low power consumption. Calling, SMS command and any triggered alarm can awake it.

6.31.2 Cancel: Send “sleep+password+space+off”, tracker will reply “sleep off ok”, then tracker won't sleep, GSM and GPS works all the time.

6.32 Check IMEI

Send SMS command "imei+password" to the unit. E.g. Send SMS command "imei123456" to the tracker device, an IMEI number in 15 digits will reply to your cell phone.

6.33 Set up Terminal (local) Time

6.33.1 Send SMS command “time+space+zone+password+space+time” to the tracker unit, If succeed, It will reply “time OK”

6.33.2 For example: Send SMS “time zone123456 8”, 8 is Chinese time zone, If your country time zone is minus, send SMS “time zone123456 -8”.

6.34. TCP/UDP switch

Send command: "gprs+password,0,0" switch back to TCP mode, this is the default mode.

Send command:"gprs+password,1,1" switch to UDP mode.

6.35 Configure parameters by USB

Find the USB cable in the package to connect tracker with computer,

open the memory of the tracker, find and open the initial configuration

file with notepad  user_config.ini, operate according the instructions.

6.36 Set up GPRS

User can send SMS via cell phone to set up APN, IP and port before starting tracking by GPRS.

6.36.1 Configure APN

APN differs from country to country. For more information about your local APN, please inquire with your local GPRS network operator.

6.36.1.1 APN settings of the first SIM card: (External SIM card is the first SIM card)

Send SMS “APNONE+password+Space+your local APN” via a cell phone and if succeeded, the tracker will return the message “APN OK”.

6.36.1.2 APN settings of the second SIM card: (Internal SIM card is the second SIM card)

Send SMS “APNTWO+password+Space+your local APN” via a cell phone and if succeeded, the tracker will reply “APN OK”

6.36.1.3 E.g. Send SMS command “APNONE123456 CMNET”. If succeeded, tracker will reply “APN OK”

Notes: 123456 refer to password of tracker and CMNET is the APN of the china mobile.

6.36.2 Configure GPRS User Name and password

6.36.2.1 In most countries, the user name and password involving GPRS login are not compulsorily necessary, therefore, the entry can be skipped. For those countries requiring user name and password, please configure as following:

6.36.2.2 User name and password settings of the first SIM card

Send SMS “upone+password+space+user+space+password”If succeeded, tracker will reply “user,password ok! ”

6.36.2.3 User name and password settings of the second SIM card

Send SMS “uptwo+password+space+user+space+password”If succeeded, tracker will reply “user,password ok! ”

6.36.2.4 For instance, send SMS “upone123456 jonnes 666666” to the tracker, and if succeeded, tracker will reply “user, password OK”

Note: 123456 is tracker device password, jonnes is the user name for GPRS login, 666666 is the password for GPRS login.

6.36.3 Configure IP and Port

6.36.3.1. Send SMS as below via a cell phone:

adminip+password+Space+IPAddress+Space+Port Number. If succeeded, “adminip OK” is returned by the device in SMS.

6.36.3.2 E.g. Send SMS command “adminip123456 202.104.150.75 9000” to the tracker device, If succeeded, “adminip OK” is returned by the device in SMS. (123456 is default password, 202.104.150.75 is IP, 9000 is port).

6.37. Less GPRS traffic

6.37.1 Tracker will change to less GPRS traffic mode after parking 5 minutes (ACC is OFF), GPRS disconnect and connect again when alarm being triggered or vehicle starts driving.

6.37.2 Activate this function: Send "less gprs123456 on", tracker will reply "less gprs on ok".

6.37.3 Deactivate this function: Send "less gprs123456 off", tracker will reply "less gprs off ok".

Note: 123456 is the password of tracker, and replace it with the new if you have changed.

6.38. Modes Switch between “SMS” and “GPRS”

6.38.1 The default mode is “SMS”

6.38.2 Send SMS “GPRS+password” to the unit, and it will reply “GPRS ok!” it means tracker device has switched to “GPRS” mode.

6.38.3 Send SMS “SMS+password” to the unit, it will reply “SMS ok!” and restore to “SMS” mode. ◦

6.39 Set up monitor center number

6.39.1 Setup: send command “centernum+password+space+number” to tracker, it will reply “centernum ok”. After setup monitor center number, the messages of auto track by sms will be set to this center number, if all alarms need to be sent to this number too, then this center number must be setup as authorized number.

6.39.2 Cancel: Send “nocenternum+password” to tracker, it will reply “no center num ok”.

6.40 Web platform and PC installation tracking software user manual

6.40.1 Web based platform www.gpstrackerxy.com. Configuration IP: 202.104.150.75 Port:

9000. Please check “software platform user manual” included in the CD for detailed operation information.

6.40.2 PC based installation tracking software user manual included in the CD in package.

7. Cautions

Please comply with the instructions to extend the unit life:

1. Keep the unit dry. Any liquid, i.e. rain, moisture, may destroy or damage the inside circuitry.
2. Don't use & store the unit in dusty places.
3. Don't put the unit in overheated or overcooled places.
4. Handle carefully. Don't vibrate or shake it violently.
5. Clear the unit with a piece of dry cloth. Don't clean in chemicals, detergent.
6. Don't paint the unit, this may cause some foreign materials left in between the parts.
7. Don't disassemble or refit the unit.
8. Please read the user manual carefully before installation and operation, learn something more about the voltage range. Otherwise, it won't work properly or destroy the product.

8. Faults & the Solutions

Faults	Solution
Startup Fail	Please check out the power wiring in correct place.
Call Fail	Check the GSM antenna connected. Check whether the SIM card in place. Check whether the normal power supply voltage.
Hang up Fail	In existence of an authorized number, an unauthorized number dials up the unit. Please initialize the unit and re-set up the authorized numbers.
Monitor Fail	Check if the authorized number is setup
Location report in digits of zeros.	Check out if the GPS external antenna well.

